

1

2

3

4

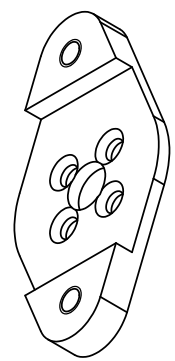
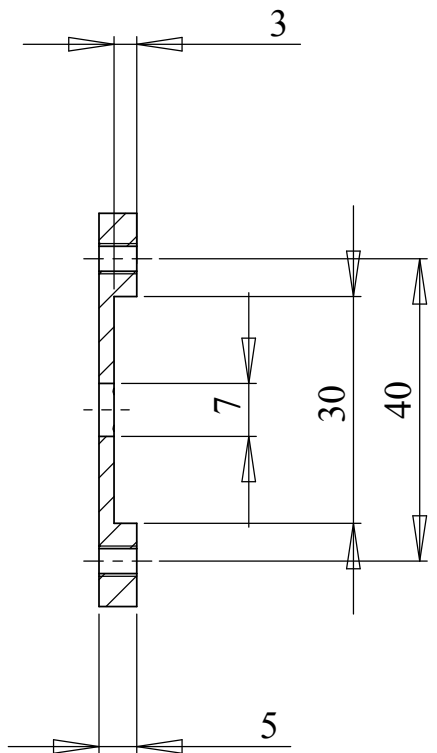
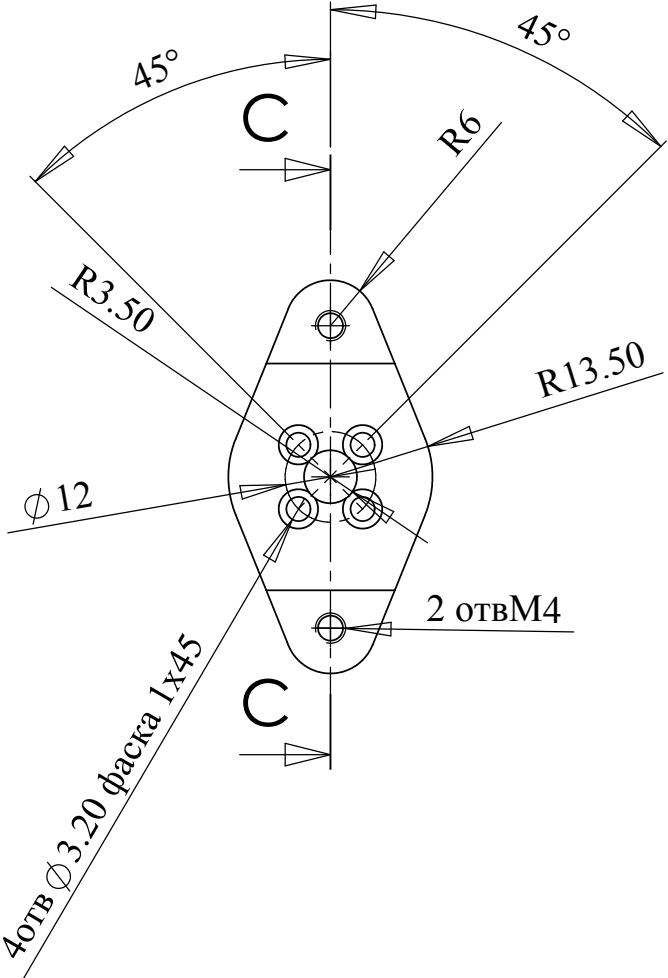
A

B

C

D

E



1. Размеры без допусков по Н11;h11
2. Материал - Дюраль

UNLESS OTHERWISE SPECIFIED: DIMENSIONS ARE IN MILLIMETERS SURFACE FINISH: TOLERANCES: LINEAR: ANGULAR:				FINISH:		DEBUR AND BREAK SHARP EDGES		DO NOT SCALE DRAWING		REVISION	
DRAWN				SIGNATURE		DATE		TITLE:			
CHK'D											
APPV'D											
MFG											
Q.A						MATERIAL:		DWG NO.		переходная деталь	
								SCALE: 1:1		SHEET 1 OF 1	
										A4	